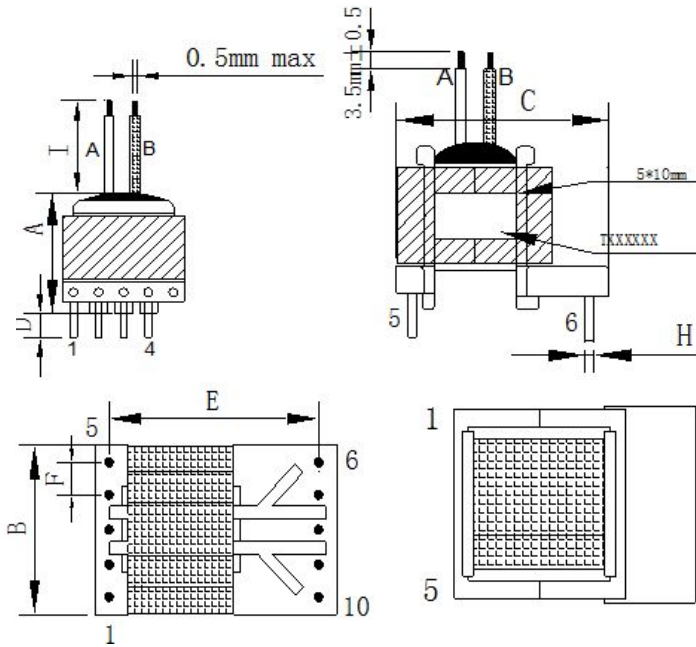


CUSTOMER TERMINAL	ROHS	Lead(Pb)-free
	YES	YES

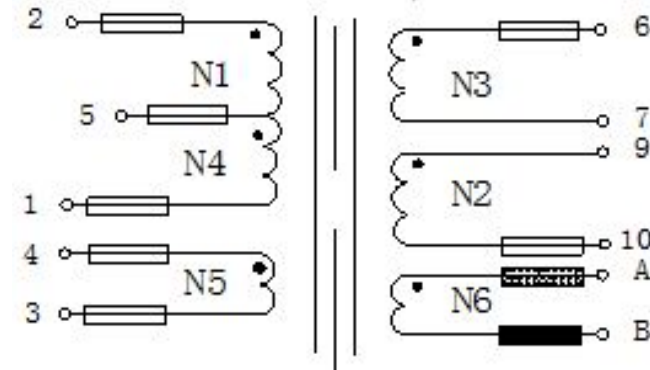


1.Mechanical Dimensions



A	14.8	MAX
B	16.8	MAX
C	19.2	MAX
D	3.5	±0.5
E	15.5	±0.4
F	3.25	±0.3
H	0.70	±0.1
I	40.0	±2.0

2.Schematic Diagram



3.Material List

Core:FW44 EE16/15/5
 Bobbin:FWB1603(5+5PIN)
 Wire:2UEW TIW
 Operating Temperature: -30 to115 °C

4.Electrical Specification

Inductance : L(2-1):2.0mH±5% 100KHZ , 0.7V
 Leakage Inductance : 52uH MAX 100KHZ , 0.7V
 DCR : (2-1)=11.2Ω MAX
 Hi-Pot:P-S: AC 60Hz 4000V 2mA 3S
 P-CORE:AC 60Hz 500V 2mA 3S

REV.	DATE	 Convention Placement	DRW.	Drawing Title:	Part No:		
0	00/00		CHK.			TRANSFORMER	FWPTEE16H202J
			APP.			Customer P/N	Specification Sheet 1of 1

ROHS

www.ferriwo.com